

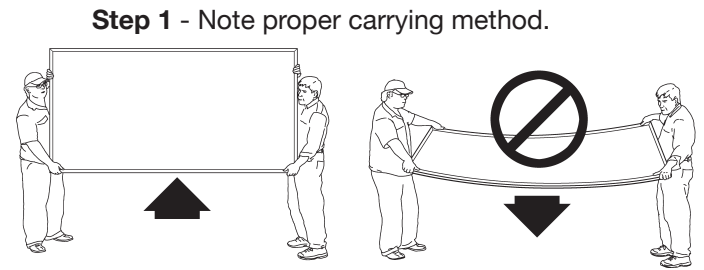
LED Light Box Wall Mounting Instructions

Note:

Please read all directions before mounting.

Step 1: Proper Handling

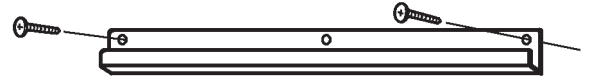
Light boxes must be held vertically when carried. Frame will bow if carried flat and could result in breakage of internal parts.



Step 2: Mounting Hanging Bracket on wall

Position hanging bracket on wall. Check to make sure bracket is level (use of a construction level is recommended). Screw bracket in place using screws and wall anchors provided.

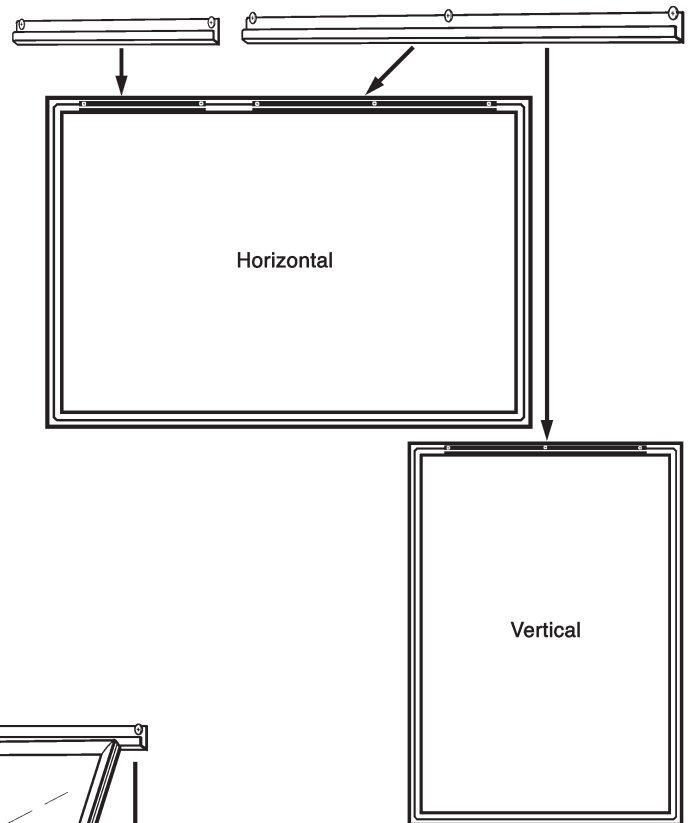
Step 2 - Level and mount hanging bracket.



Step 3: Horizontal or Landscape Position

Some frames will include **two** hanging brackets. Both brackets should be combined (used together) next to each other when mounting on the long length of the frame (landscape position).

Step 3 - Alternate bracket mounting configurations are dependant on frame size and orientation.



Step 4: Hanging Light Box on Wall Bracket

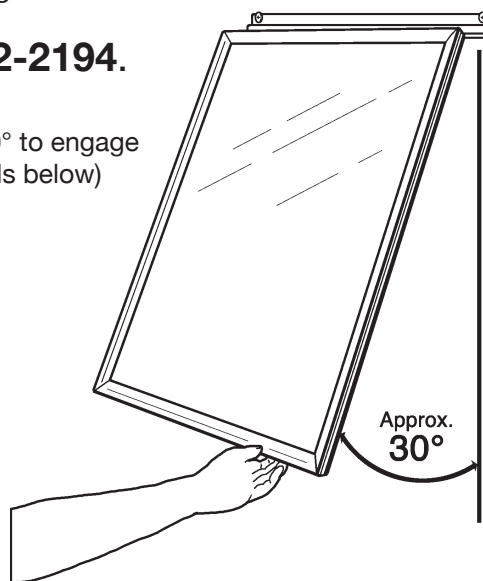
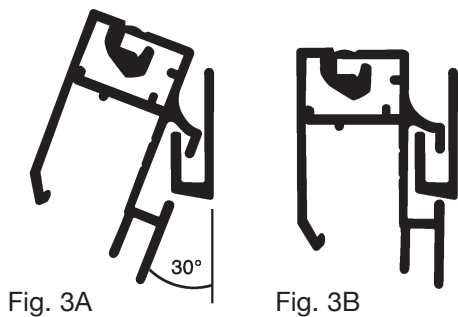
Before attaching light box to mounting bracket, angle frame slightly (approximately 30 degrees) to engage mounting bracket lip with channel on back of frame (see figure 3A). When frame channel is engaged with mounting bracket lower frame to rest parallel with wall (see figure 3B).

Step 5: Alternate Hanging Methods

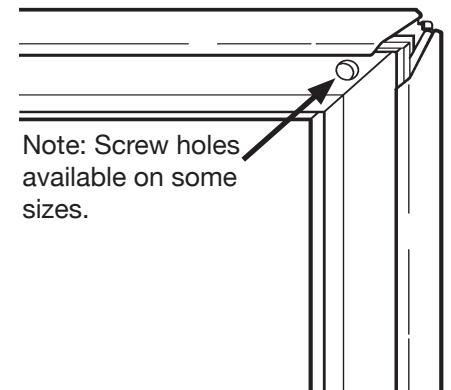
Depending on the size of light box the method for mounting to wall may vary. Some light boxes may have holes drilled in the inside corners of the frame and may be mounted directly to wall without using the wall hanging bracket.

Questions? Call 1-800-572-2194.

Step 4 - Angle frame approximately 30° to engage frame channel with bracket. (See details below)



Step 5 - Alternate mounting methods for some light box sizes.



Note: Screw holes available on some sizes.

DISPLAYS2GO

DIVISION OF GEORGE PATTON ASSOCIATES, INC.

55 Broad Common Road, Bristol, RI 02809 • Phone 1-800-572-2194 Fax 401-247-0392

Large Light Box Frames

Alternate Wall Mounting Method

Note:

Please read all directions before mounting.

Step 1: Mark Frame Position on Wall

Hold frame in position on wall. Check to make sure frame is level (use of a construction level is recommended). Snap open frame sides to expose mounting holes in frame. With a pen or pencil, mark hole position on wall through mounting holes.

Step 2: Drill Holes for Wall Anchors

Using a drill with a proper drill bit size appropriate for the size of the anchor being used, drill the holes through the wall for the anchors.

Step 3: Install Anchor Bolts

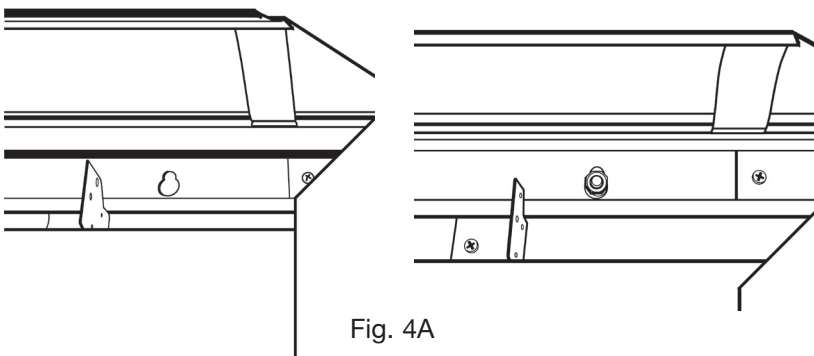
Push anchor bolts into drilled holes, with the nut and bolt end facing out. Tighten nut on anchor to force the opposite end of the anchor to spread out and lock anchor in wall (Fig. 3A). After anchor is locked, remove nut and washers from threaded end (Fig 3B) and save for Step 4.

Step 4: Hanging Light Box on Wall Anchor Bolts

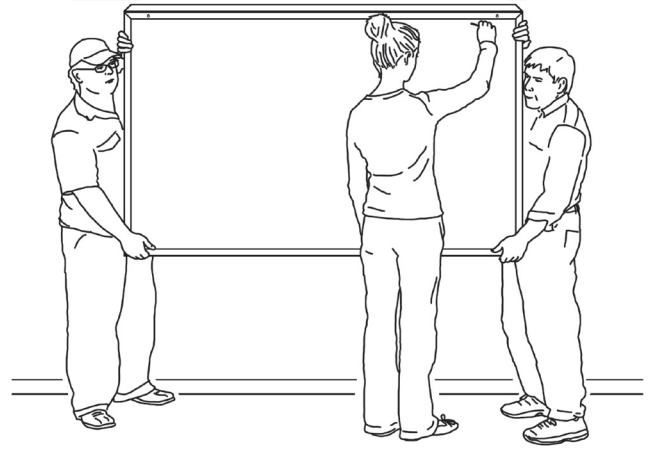
Through the mounting holes in frame, hang light box over the anchor bolts (Fig. 4A). Install washers and nuts saved from Step 3 and tighten with wrench or nut driver (Fig.4B).

Questions? Call 1-800-572-2194.

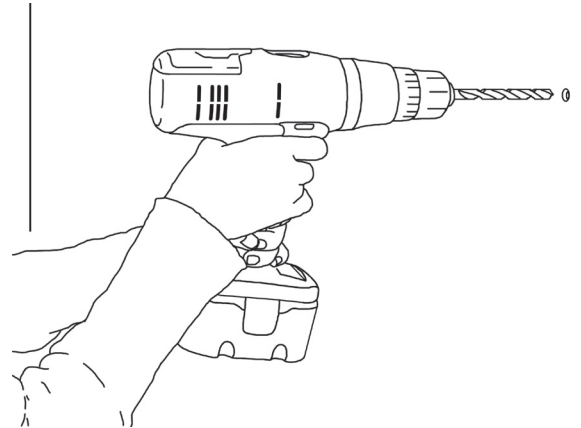
Step 4 - Hanging light box on wall anchors.



Step 1 - Level frame and mark position on wall.



Step 2 - Drill holes in wall for installing wall anchors.



Step 3 - Install anchor bolts in wall.

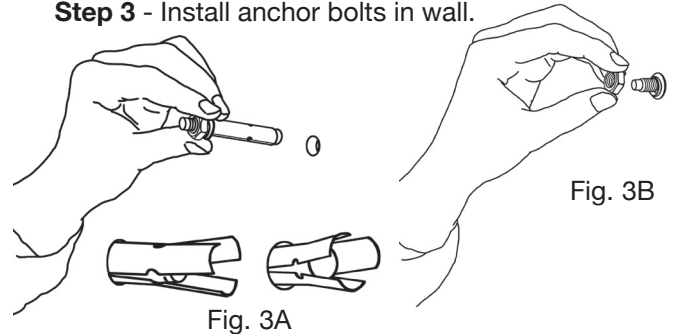
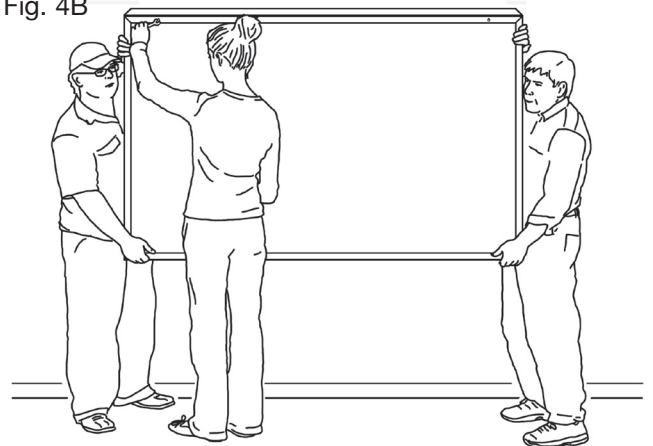


Fig. 4B



DISPLAYS2GO

DIVISION OF GEORGE PATTON ASSOCIATES, INC.

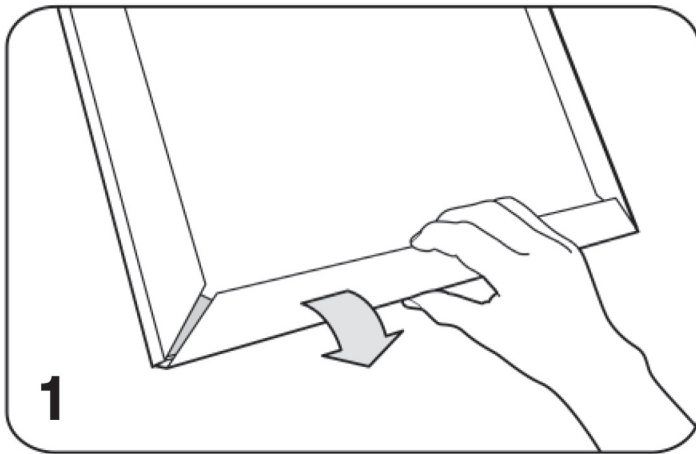
55 Broad Common Road, Bristol, RI 02809 • Phone 1-800-572-2194 Fax 401-247-0392

Installation and Maintenance Instructions

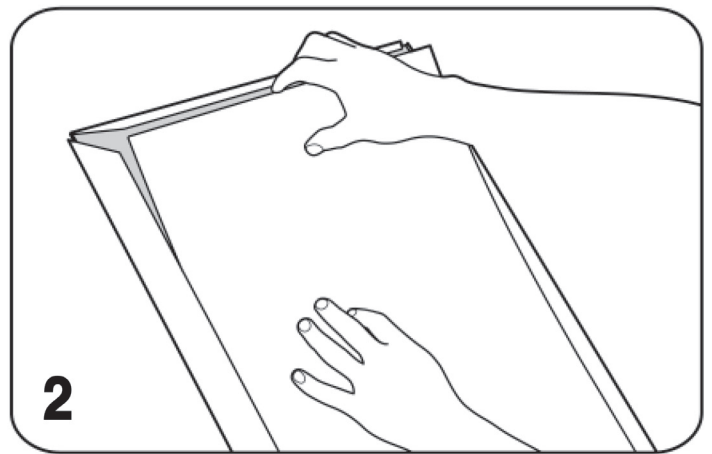
Warning: Always ensure power is **OFF** during all maintenance procedures. All lightboxes **MUST** be securely fastened to wall or other surface. Unless otherwise stated all models are strictly for **INDOOR** use only.

Fluorescent Lamp Replacement Procedure - Snap Frame

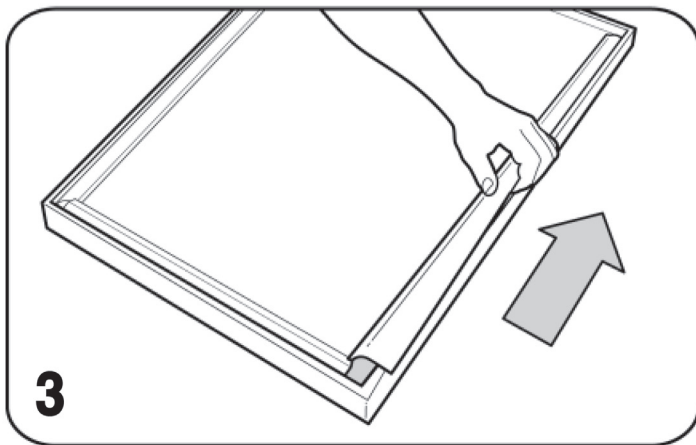
Installation and maintenance of all lightboxes must be undertaken by a qualified electrician. It is advised that failed lights be promptly replaced in order to avoid damage to the units electrical components.



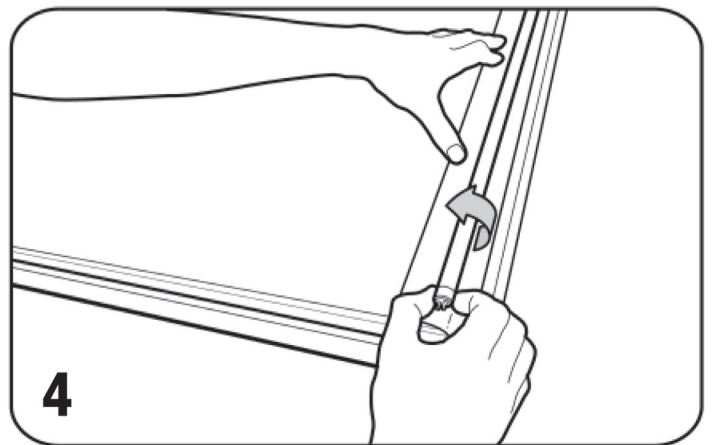
1 Using fingers pull on the image frame until it springs open.



2 Open all sides of the frame and remove acrylic face panel.



3 Fully untuck diffusion sheet by running fingers beneath it.



4 Hold diffusion sheet and twist fluorescent tube to release.