

Swing Frame Light Box

Alternate Wall Mounting Method

Note:

Please read all directions before mounting.

Step 1: Mark Frame Position on Wall

Hold frame in position on wall. Check to make sure frame is level (use of a construction level is recommended). Snap open frame sides to expose mounting holes in frame. With a pen or pencil, mark hole position on wall through mounting holes.

Step 2: Drill Holes for Wall Anchors

Using a drill with a proper drill bit size appropriate for the size of the anchor being used, drill the holes through the wall for the anchors.

Step 3: Install Anchor Bolts

Push anchor bolts into drilled holes, with the nut and bolt end facing out. Tighten nut on anchor to force the opposite end of the anchor to spread out and lock anchor in wall (Fig. 3A). After anchor is locked, remove nut and washers from threaded end (Fig 3B) and save for Step 4.

Step 4: Hanging Light Box on Wall Anchor Bolts

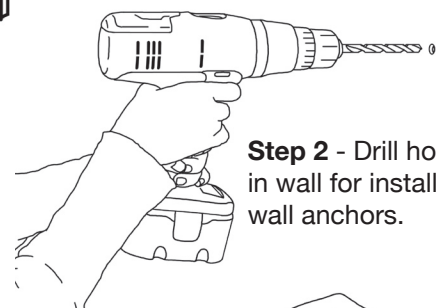
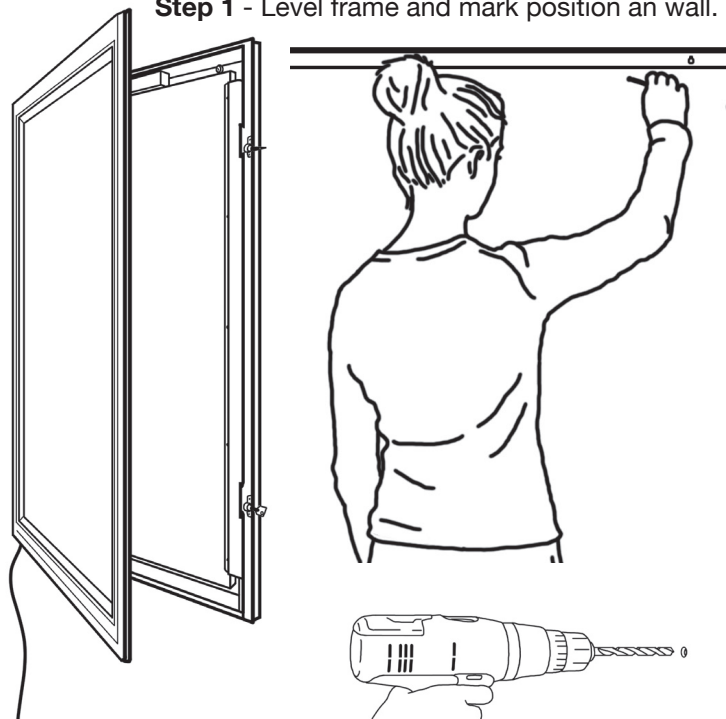
Through the mounting holes in frame, hang light box over the anchor bolts. Install washers and nuts saved from Step 3 and tighten with wrench or nut driver (Fig.4B).

Mounting Poster Materials in Swing Frame

Unlock door and swing frame open. Posters mount inside front door of frame. Thin magnetic strips on all four sides of frame hold poster securely yet allow for quick poster changes. First center poster in frame, then lift magnetic strip up and over edge of poster. Magnetic strips clamp down to hold poster in place.

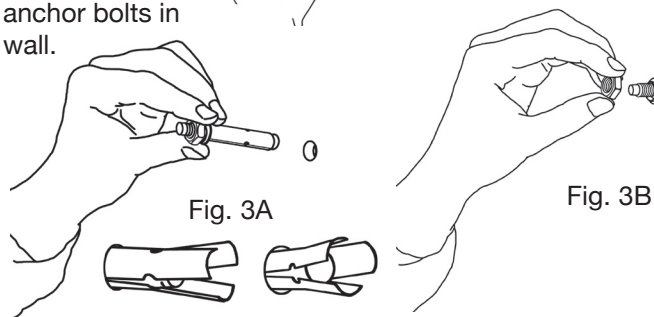


Step 1 - Level frame and mark position on wall.

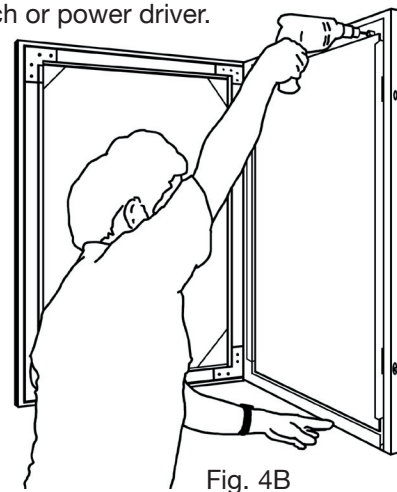


Step 2 - Drill holes in wall for installing wall anchors.

Step 3 - Install anchor bolts in wall.



Step 4 - After hanging frame over anchor bolts, tighten nuts with wrench or power driver.



Questions?
Call 1-800-572-2194.

DISPLAYS2GO

DIVISION OF GEORGE PATTON ASSOCIATES, INC.

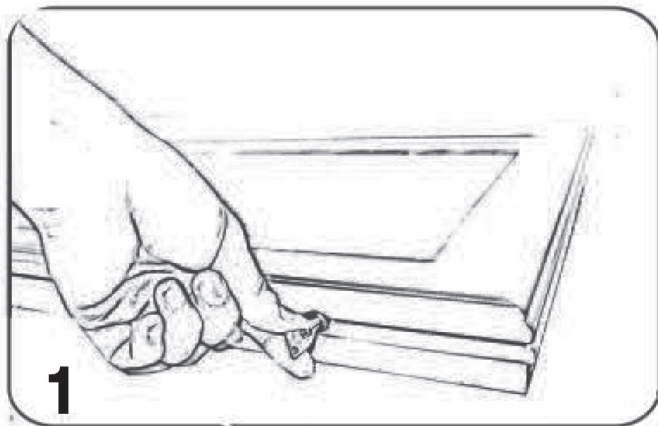
55 Broad Common Road, Bristol, RI 02809 • Phone 1-800-572-2194 Fax 401-247-0392

Installation and Maintenance Instructions

Warning: Always ensure power is **OFF** during all maintenance procedures. All lightboxes **MUST** be securely fastened to wall or other surface. Unless otherwise stated all models are strictly for **INDOOR** use only.

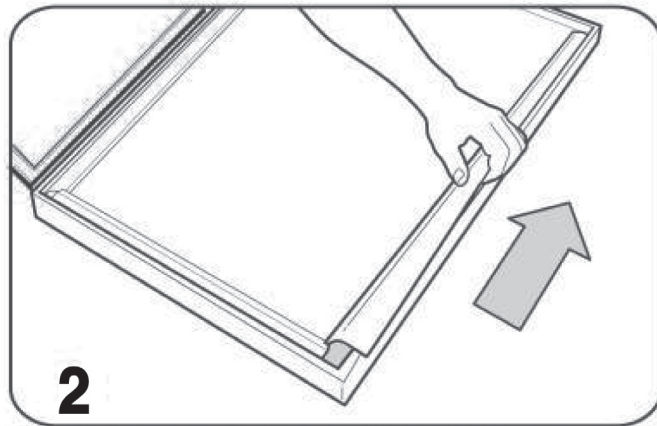
Fluorescent Lamp Replacement Procedure - Swing Frame

Installation and maintenance of all lightboxes must be undertaken by a qualified electrician. It is advised that failed lights be promptly replaced in order to avoid damage to the units electrical components.



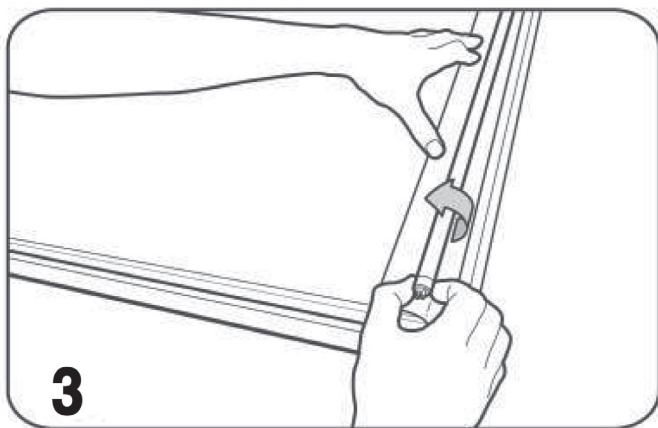
1

Unlock the door and swing it open.



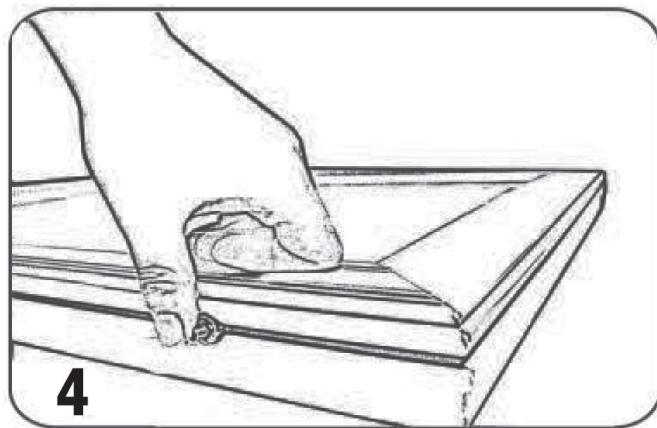
2

Fully untuck diffusion sheet by running fingers beneath it.



3

Hold diffusion sheet and twist fluorescent tube to release.



4

Swing frame closed and lock the door.